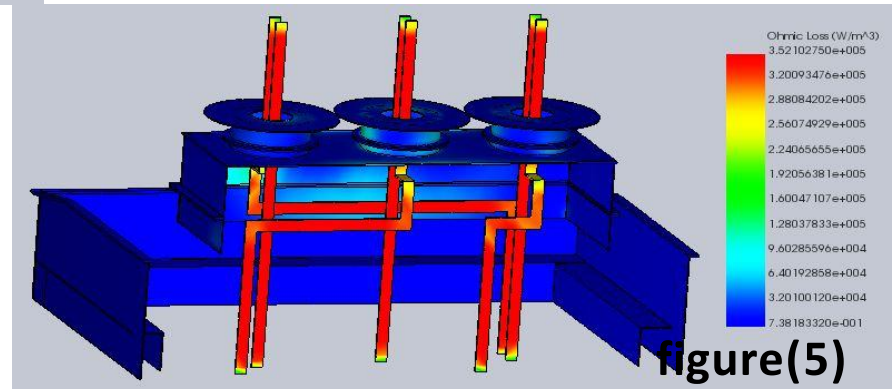
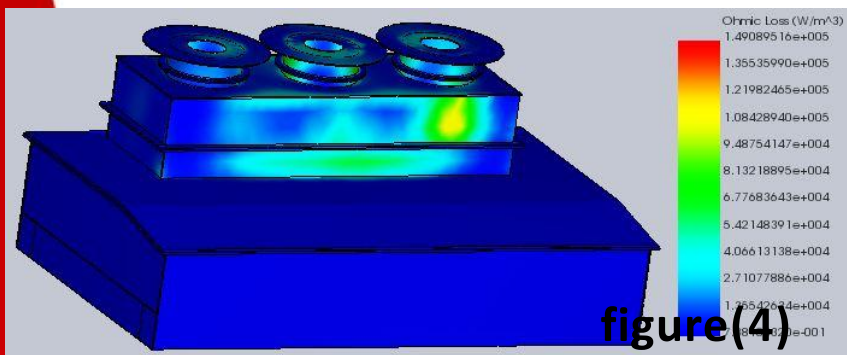
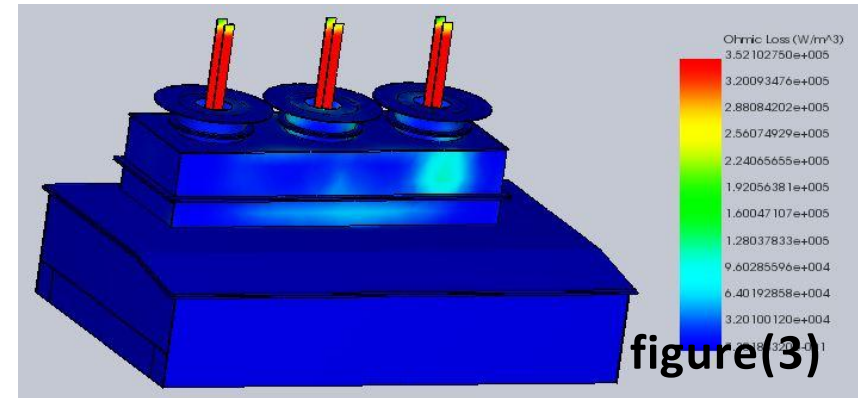
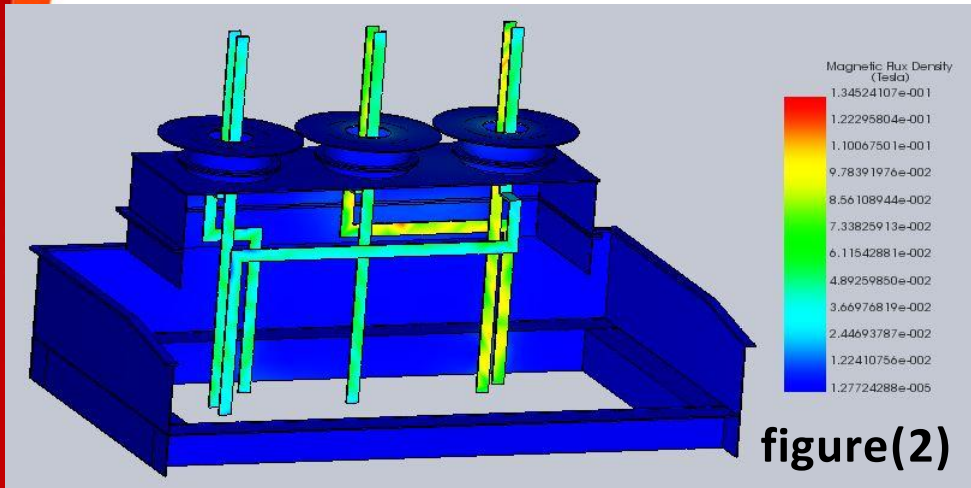
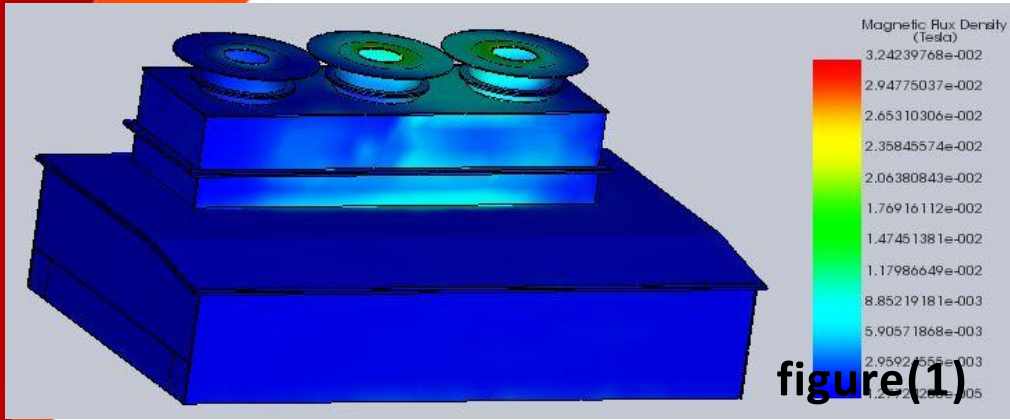


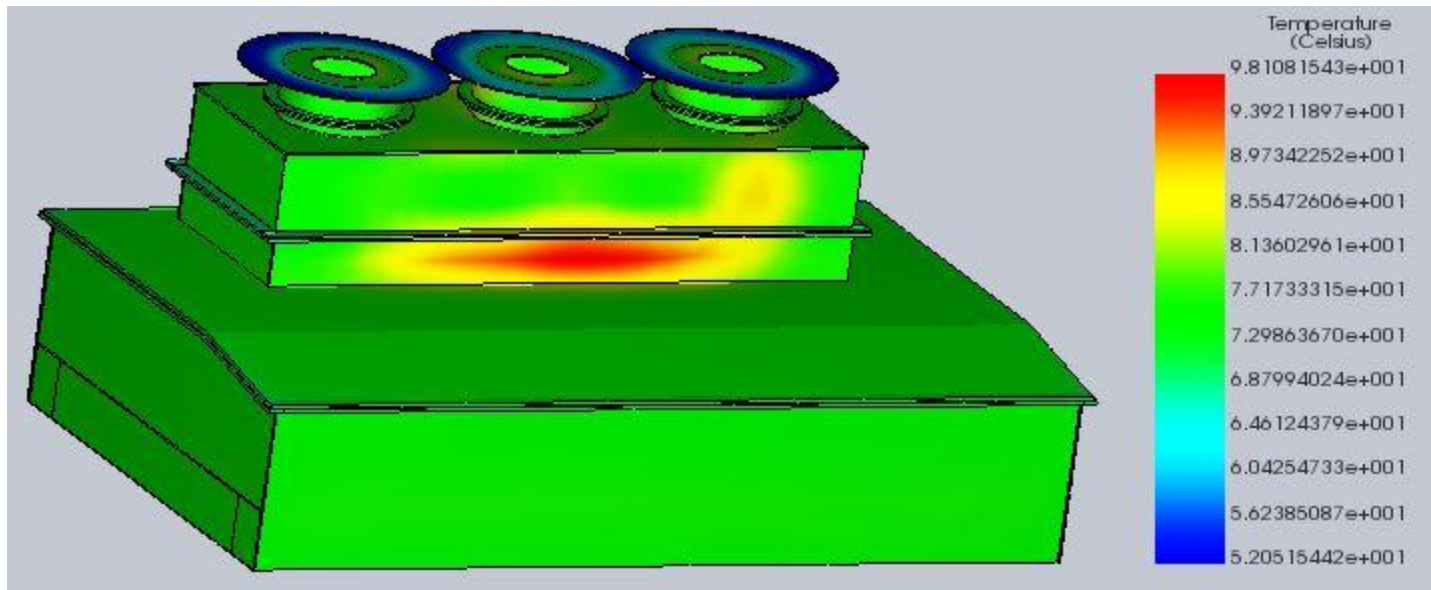
SEM with EMS for SolidWorks

**Three-Phase Generator Step-up
Transformer**

580 MVA – 239.66 kV \pm 2 \times 1.25 % / 18 kV

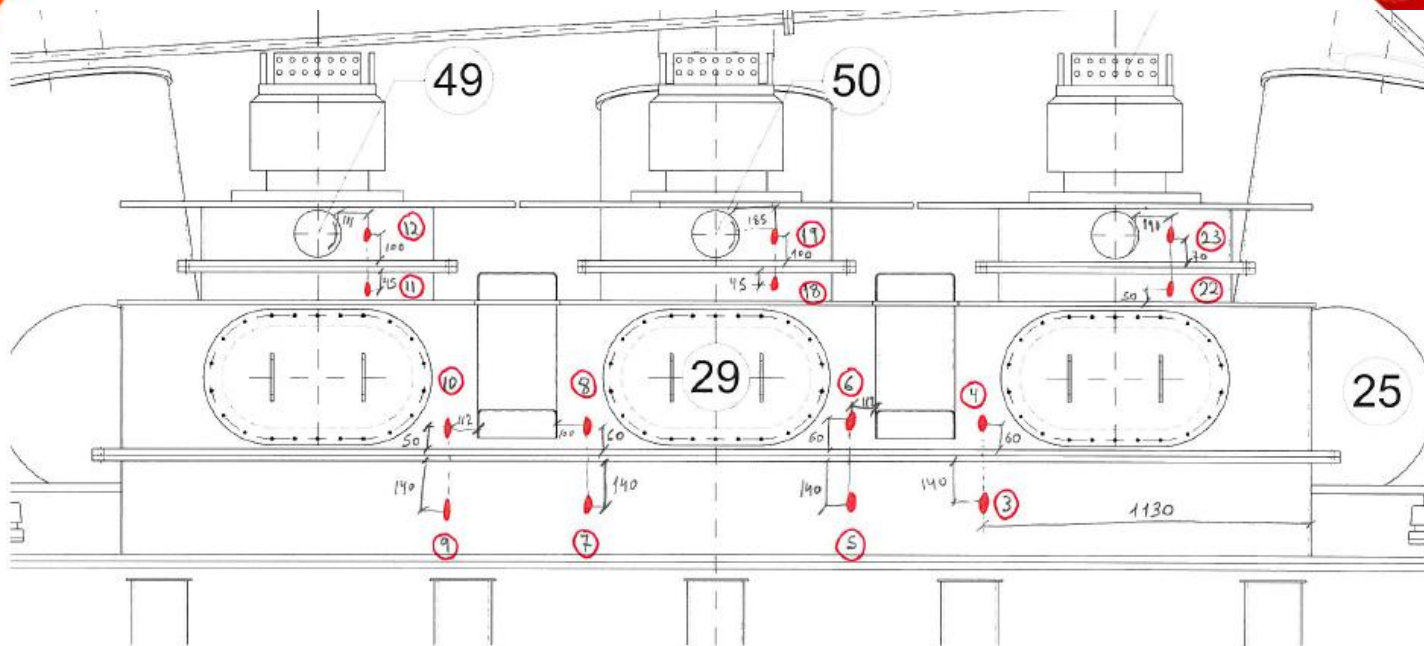
EMS simulation in Solidworks





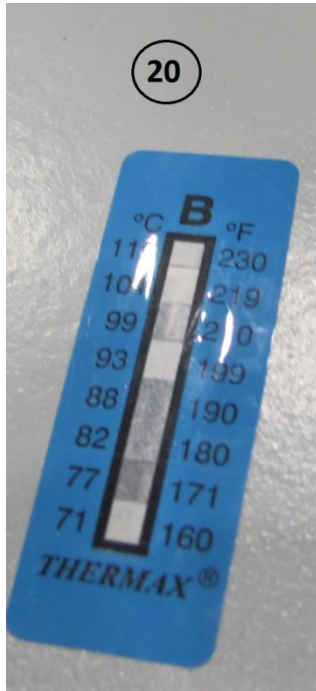
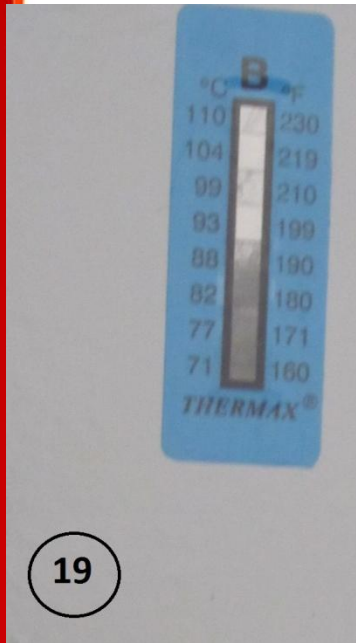
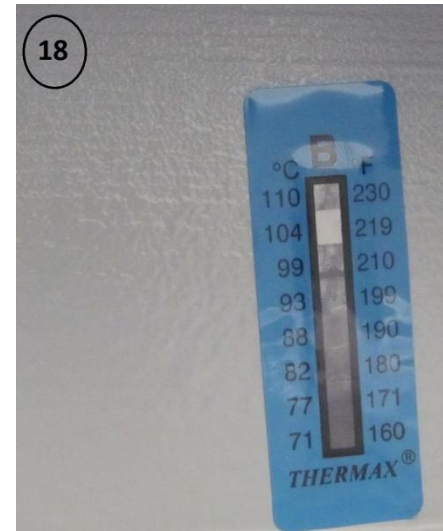
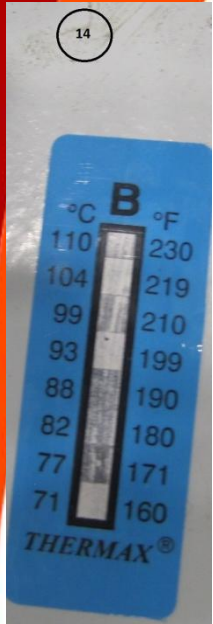
figure(6)

Transformer Location of Termax 8 Level Strips



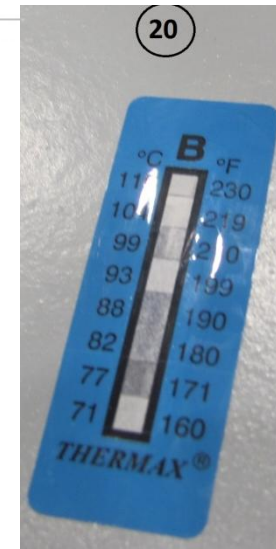
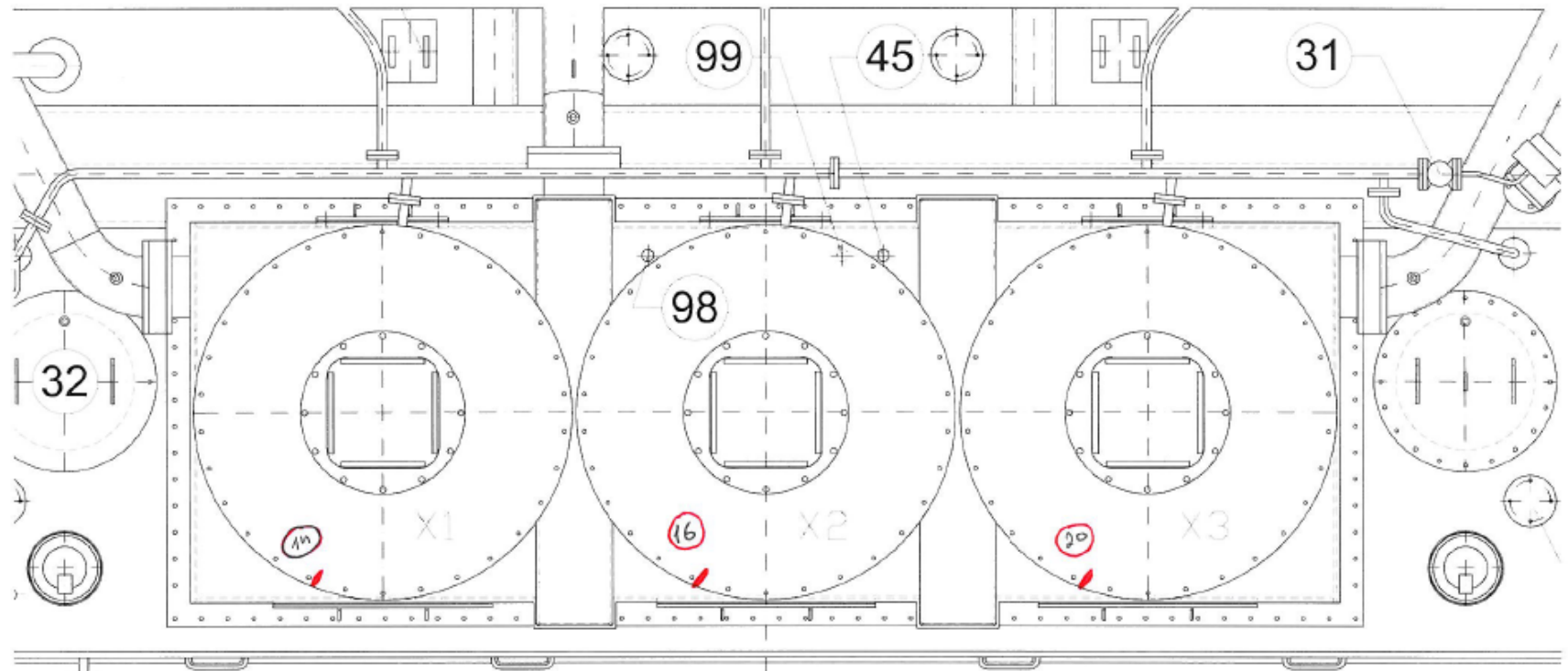
figure(7)

Termax 8 Level Strips



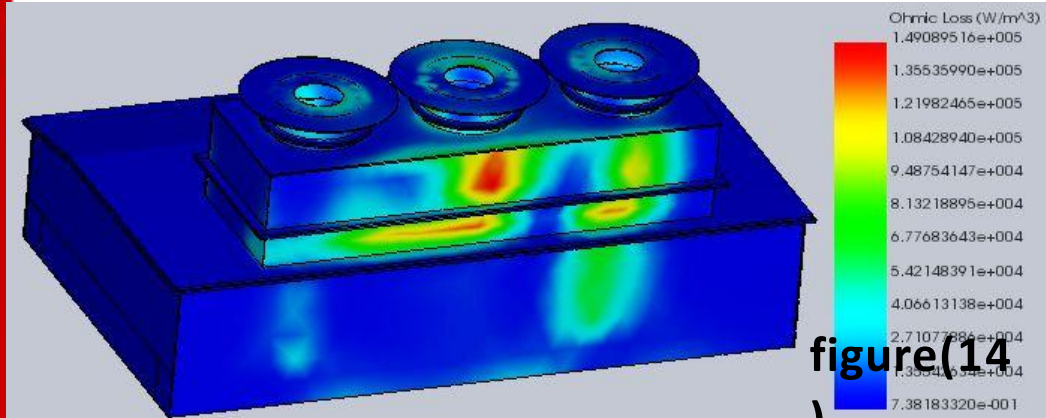
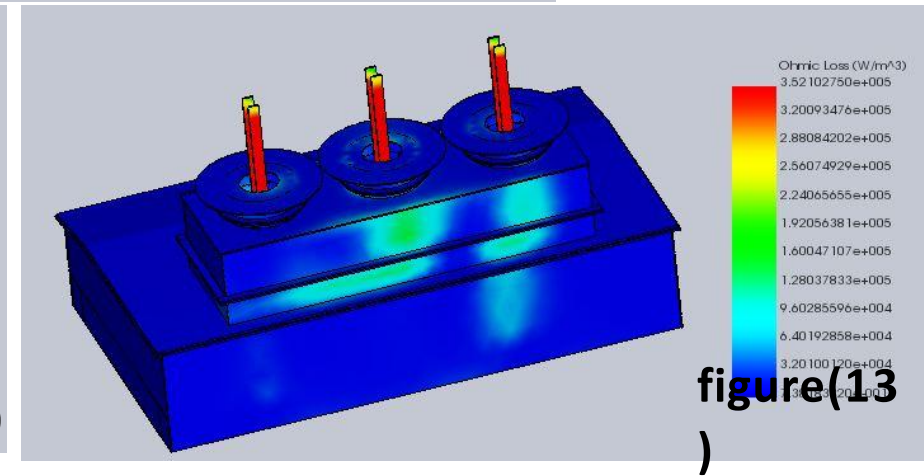
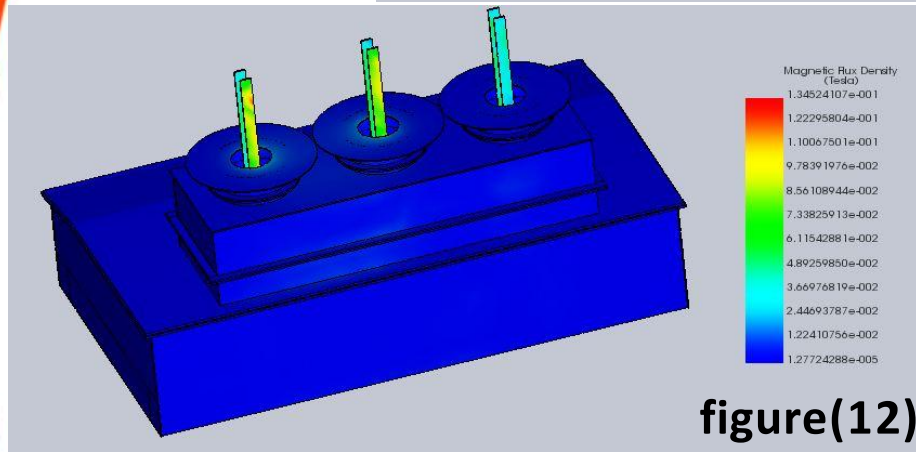
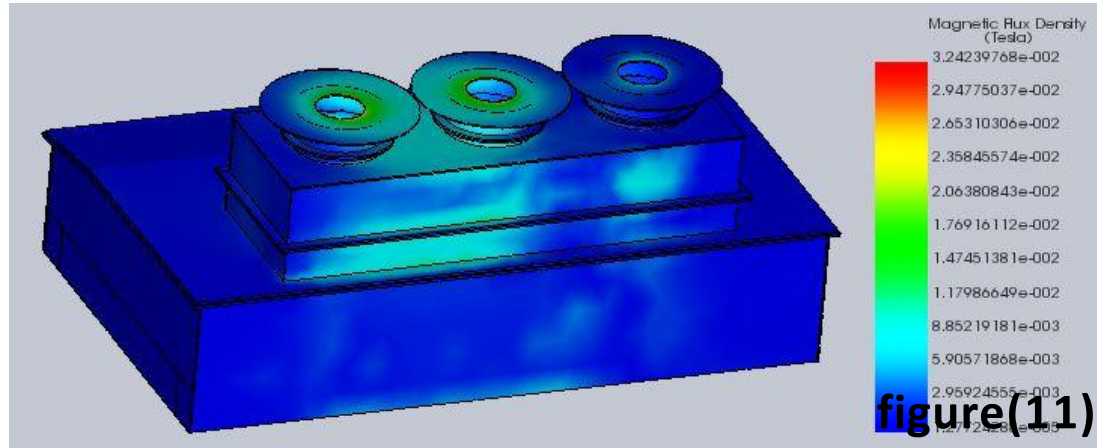
figure(9)

Transformer Location of Termax 8 Level Strips

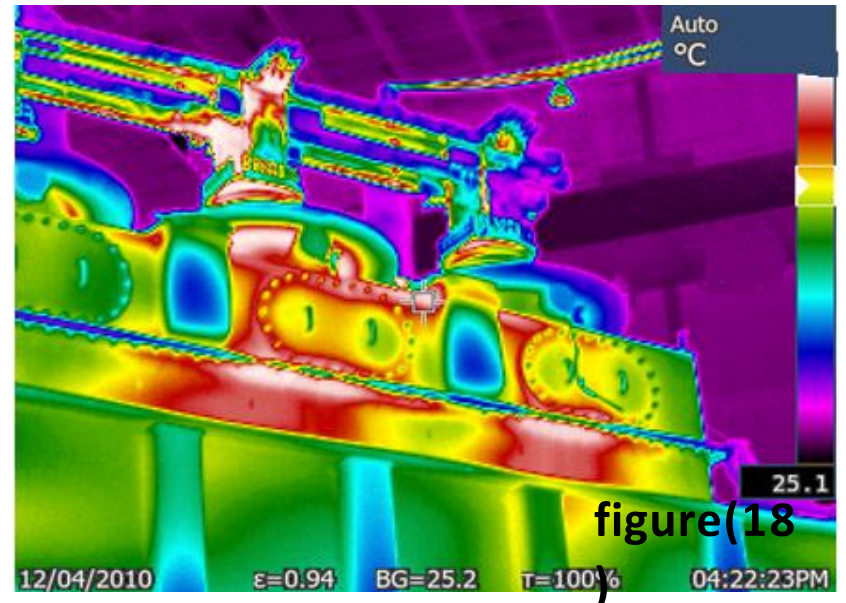
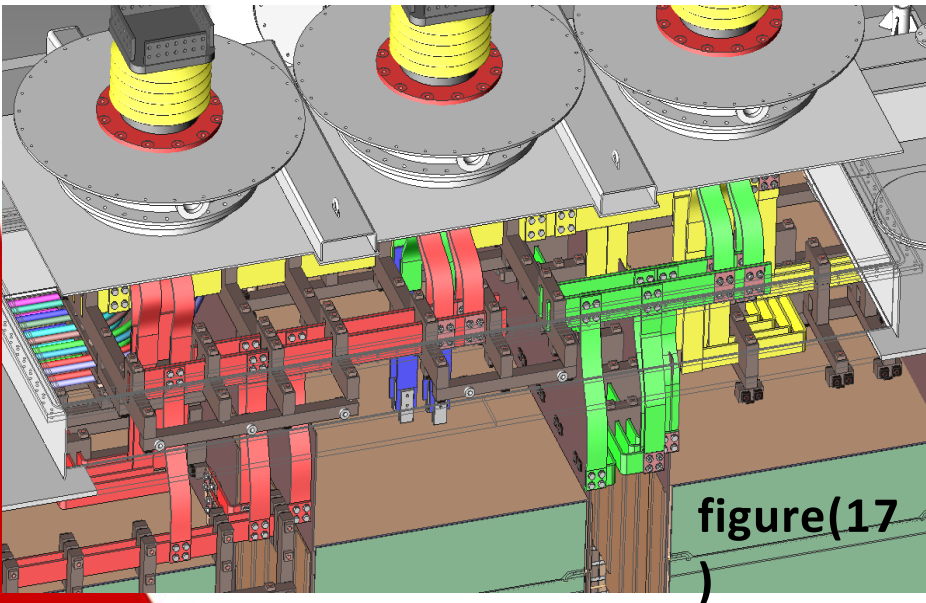
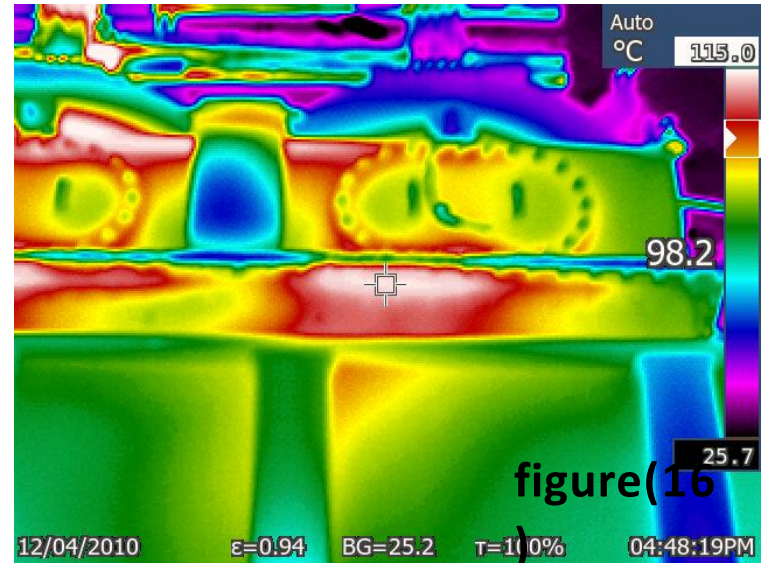
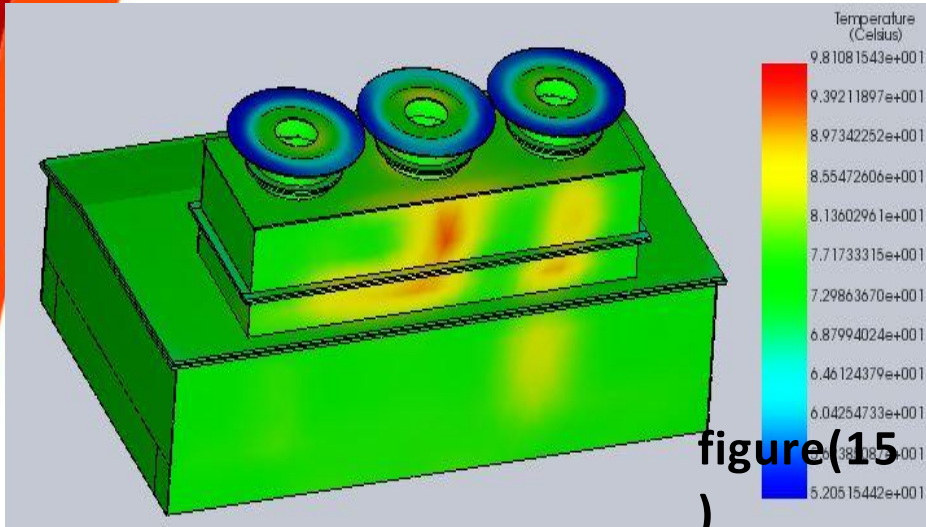


figure(10)

EMS simulation in Solidworks



Temperature measure versus calculation



Temperature measure versus calculation

